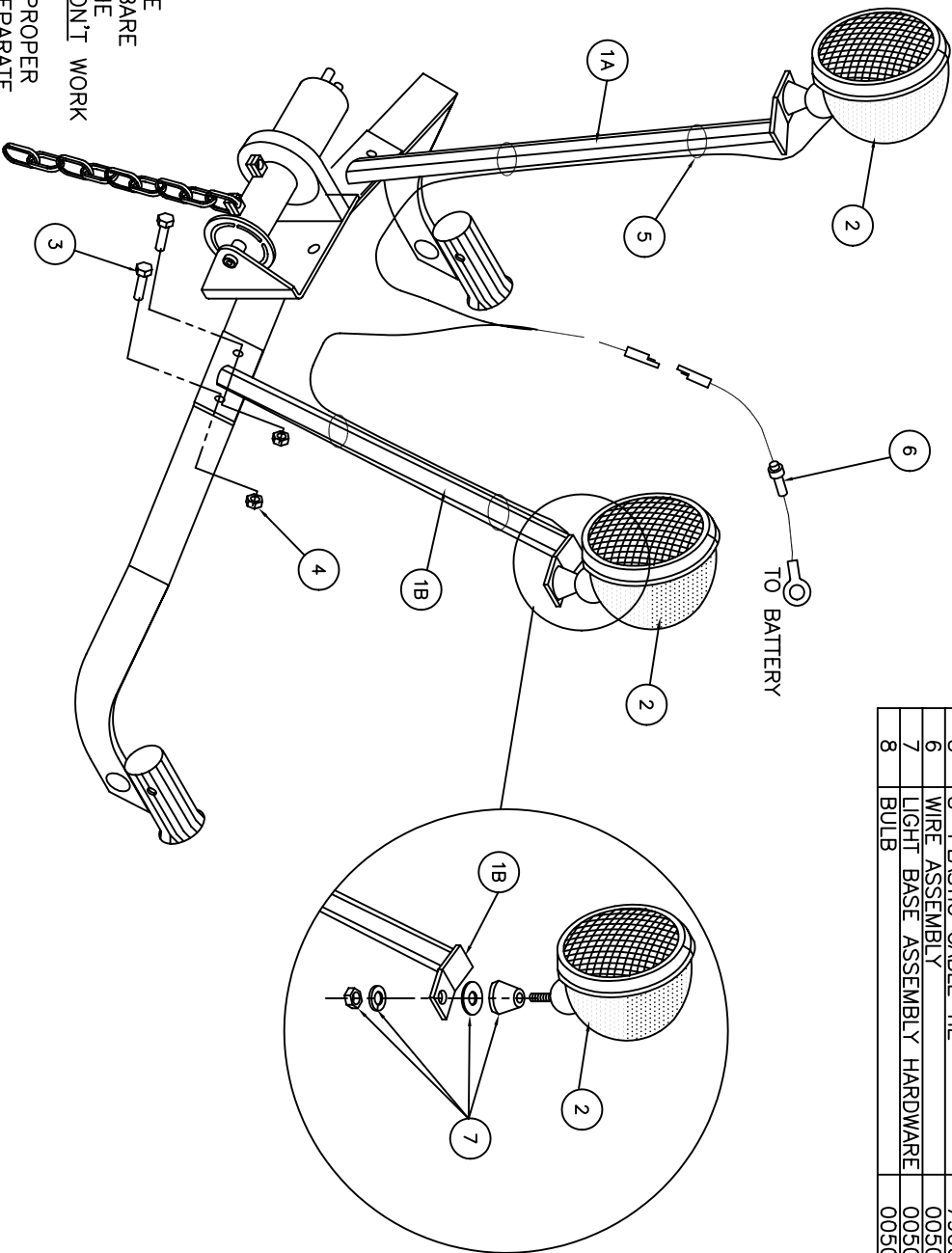


OFF ROAD LIGHT KIT INSTALLATION (SEALED BEAM)

ITEM	DESCRIPTION	PART #	QTY.
1A	LH LIGHT SUPPORT	00503	1
1B	RH LIGHT SUPPORT	00504	1
2	LIGHT FIXTURE	00510	2
3	HEX BOLT 1/2-13 x 1 1/2	72510	4
4	HEX LOCKING NUT 1/2	72595	4
5	8" PLASTIC CABLE TIE	79060	8
6	WIRE ASSEMBLY	00507	1
7	LIGHT BASE ASSEMBLY HARDWARE	00508	1
8	BULB	00509	1



NOTE:
A PROPER GROUND IS ESSENTIAL FOR YOUR LIGHTS TO WORK. THE GROUND IS SUPPLIED FROM YOUR VEHICLE FRAME TO THE PLOW FRAME AND UP THROUGH TO THE BASE OF YOUR LIGHTS. THIS REQUIRES A BARE METAL CONTACT THROUGH EACH OF THE MOUNTING BOLTS. IF YOUR LIGHTS DON'T WORK AFTER YOUR INSTALLATION, RETIGHTEN THE MOUNTING BOLTS, TO ENSURE A PROPER GROUND. YOU MAY NEED TO RUN A SEPARATE GROUND WIRE UP TO THE BASE OF YOUR LIGHTS!