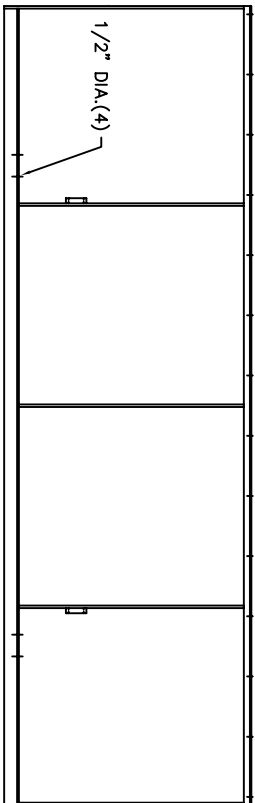


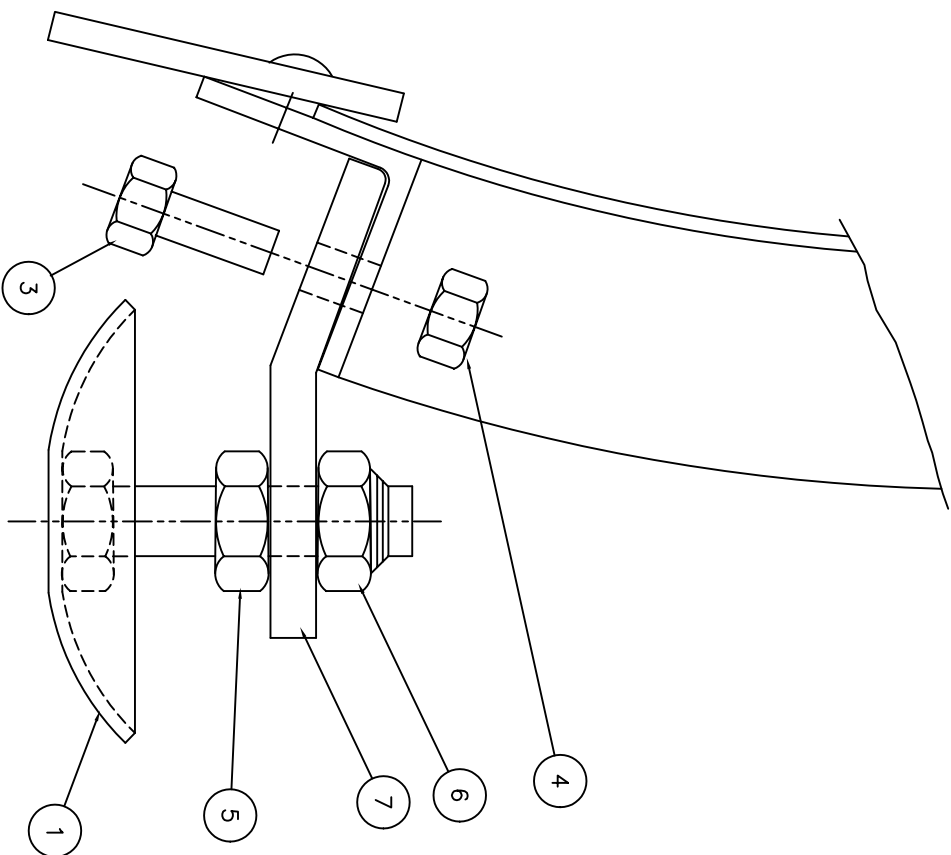
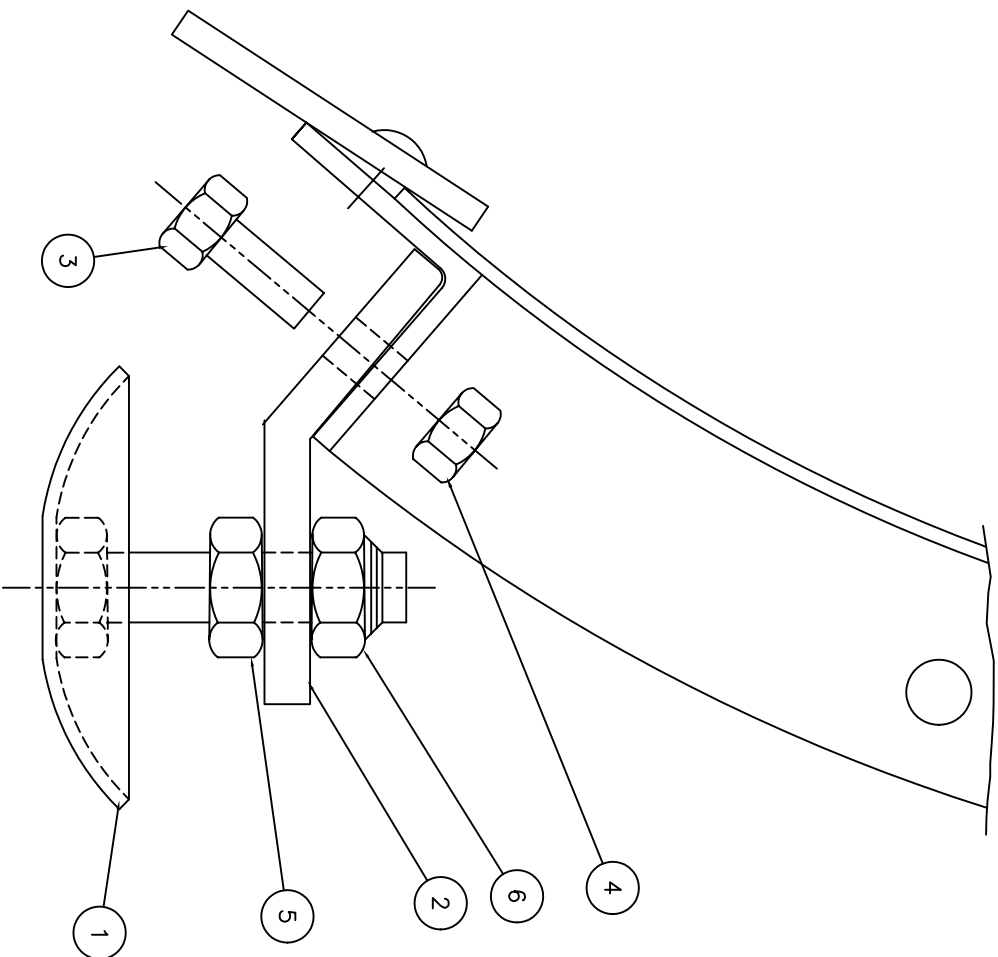
SKID PLATE ASSEMBLY



DRILL 4 HOLES AS SHOWN IN ANGLE ON BACK OF BLADE TO HOLD SKIDPLATES

ITEM	DESCRIPTION	PART #	QTY.
1	SKID PLATE ASSEMBLY	20014	2
2	MOUNTING ADAPTOR 40 DEG	20013	2
3	HEX BOLT 1/2-13 x 1"	72505	4
4	LOCKING HEX NUT 1/2-13	72395	4
5	HEX NUT 3/4-10	73590	2
6	LOCKING HEX NUT 3/4-10	73595	2
7	MOUNTING ADAPTOR 20 DEG	20012	2

DEPENDENT ON ANGLE OF BLADE USE EITHER
ITEM 2 THE 40 DEG ADAPTOR OR ITEM 7 THE 20 DEG ADAPTOR



ASSEMBLY VIEW